



<http://www.commddevices.com>

Port Authority SAM-22

Secure In/Out of Band Management

RSA-AES 2 factor authentication built in

- ✓ RSA certified AES authentication
- ✓ NIST certified AES management
- ✓ Internal Modem Standard
- ✓ Network Interface Standard
- ✓ Self-contained Database
- ✓ Centrally Managed
- ✓ Power Control Capable
- ✓ Stand Alone



Port Authority SAM-22 (2 Port)

The Problem

Access to console ports on Routers, Firewalls, Network Appliances, etc., cannot be protected by network security when out of band access is required. Secure Out of Band Management and Network security are mutually exclusive events.

The Solution

The SAM-22 connects directly to console ports and provides the highest level of authentication regardless of the status of the network. This is done by maintaining an internal security database that is updated by a “patented” central database manager on an "as needed" basis. This internal database provides fast, reliable, AES, two factor authentication. Hardware Client authentication can be enabled by using a SAM-11 or SAM-22 Client(s) at the NOC center.

RSA Secured

The SAM-11 has the ability to authenticate RSA tokens “on board” without needing access to the network. This allows for secure two factor AES authentication over dial-up when the network is malfunctioning.

Network Capability

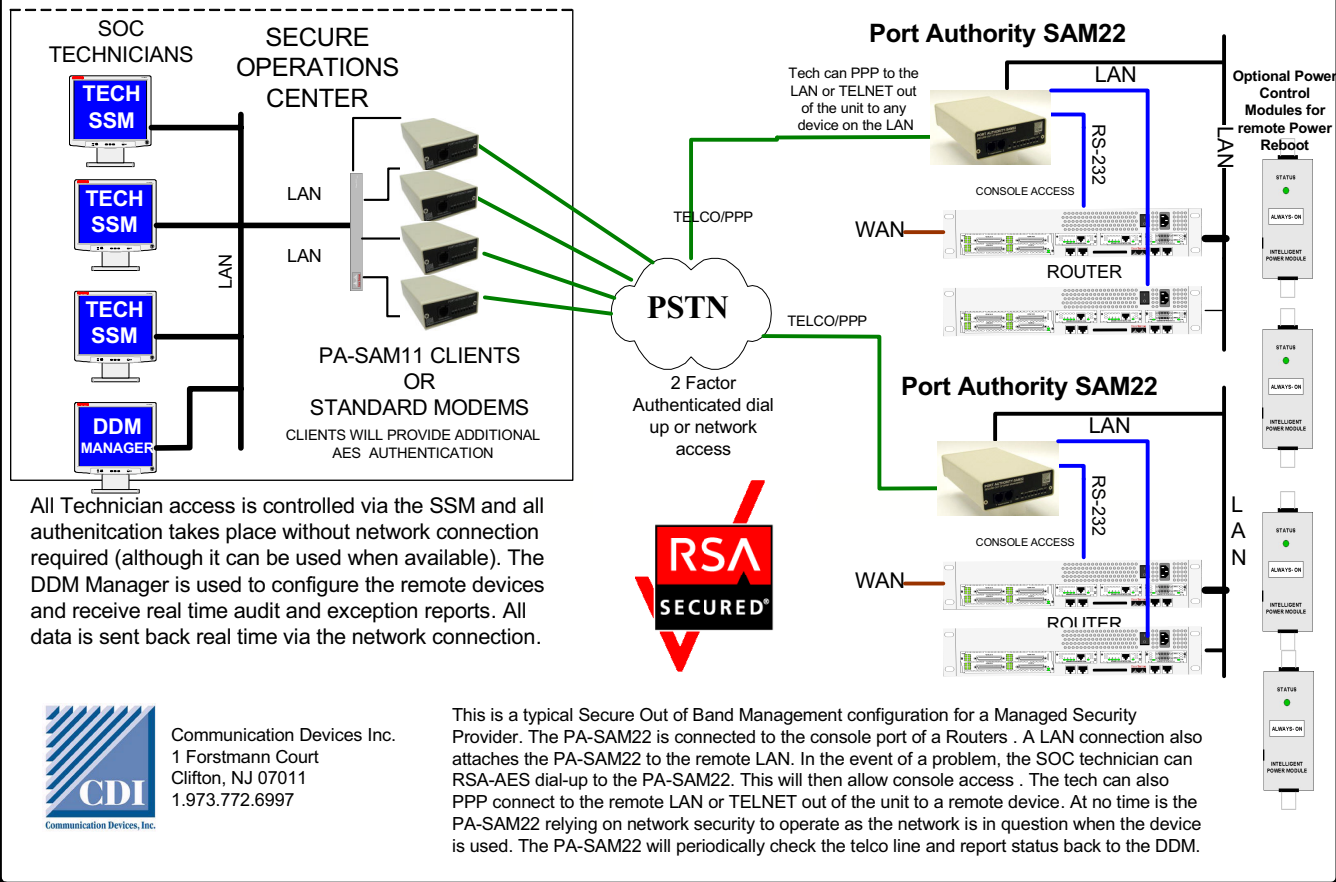
A standard 10/100 network interface provides in band access to the device supporting real time event logging with telco line status (TLS) and PPP access to remote networks. RADIUS & SYSLOG are also supported.

Security Management

DDM, Distributed Database Manager, can manage an unlimited number of CDI devices remotely from a single(ODBC) or multiple(SQL) workstations. This eliminates the need to update each unit individually when there is a database change. Audit trail reports are extracted automatically.

<http://www.outofbandmanagement.com>

SECURE RSA-AES OUT OF BAND MANAGEMENT OVER DIAL-UP OR NETWORK WITH REMOTE PPP & TELNET



Network Capabilities

The Port Authority-SAM22 comes standard with a 10/100 network interface. This will allow in band access for technicians as well as the DDM manager. The following protocols are supported.

- Authenticated Network Access
- Secure Remote PPP Access
- TELNET, SNMP, RADIUS, SYSLOG
- Real Time Management & Reporting
- Telco Line Status (TLS)

Part Numbers

PA-SAM11	Standard 1 port unit 1 power control No network port available on PA-SAM11
PA-SAM22	Standard 2 port unit 2 power control 10/100 network interface.
PA-SAM44	Standard 4 port unit 4 power control 10/100 network interface.

PA-SAM22 Specifications

Length	7 inches (18 cm)
Width	4 inches (10 cm)
Height	1.5 inches (4. cm)
Weight	1.5 pounds (.68 Kilogram)
Power	110VAC .3 AMP, 220VAC .15 AMP
Misc.	NIST AES, RSA, FCC PART 15 FCC PART 68, CE
Global	Add -US, -UK, -EU, for international power cords